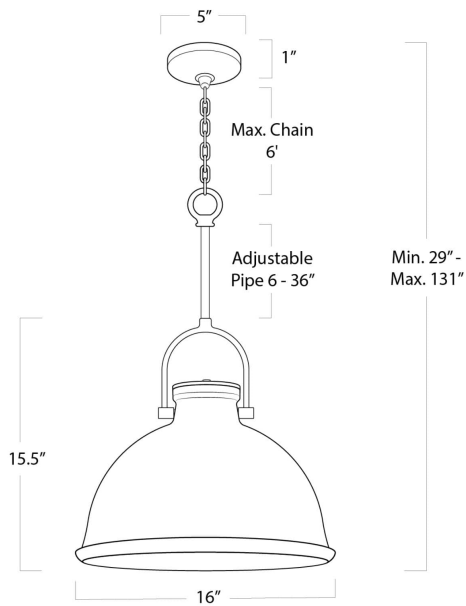


# REGINA ANDREW

DETROIT

## SPECIFICATION SHEET

### Eloise Ceramic Pendant 16-1219WT



<b>HEIGHT</b>	29
<b>WIDTH</b>	16
<b>DEPTH</b>	16
<b>SHADE DIMS</b>	N/A
<b>SHADE COLOR</b>	N/A
<b>BULB QTY</b>	1
<b>BULB TYPE</b>	A Type Medium Base (E26)
<b>SOCKET</b>	E26 Keyless
<b>WATTAGE</b>	60 Watt Max
<b>WIRING TYPE</b>	Hard Wire
<b>MATERIAL</b>	Ceramic
<b>FINISH</b>	White
<b>NOTES</b>	10 ft of cord and 6 ft of chain
<b>FREIGHT ONLY</b>	No