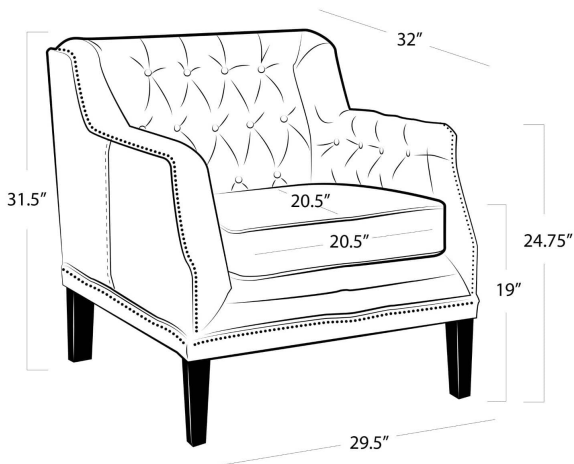


REGINA ANDREW

DETROIT

SPECIFICATION SHEET

Leather Equestrian Chair
32-1001



HEIGHT	31.5
WIDTH	29.5
DEPTH	32
SEAT HEIGHT	19
SEAT DEPTH	20.5
ARM HEIGHT	24.75
NOTES	N/A
FREIGHT ONLY	No