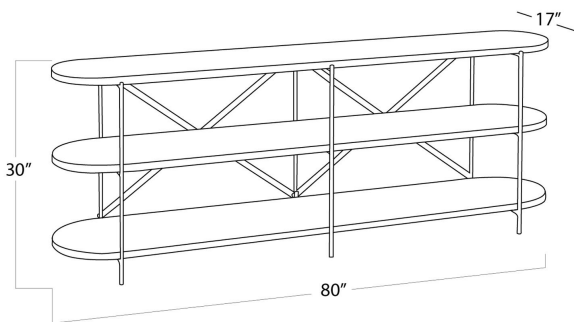


REGINA ANDREW

DETROIT

SPECIFICATION SHEET

Workshop Console Table
30-1006



| | |
|---------------------|---------------------|
| HEIGHT | 30 |
| WIDTH | 80 |
| DEPTH | 17 |
| MATERIAL | Cast Iron |
| FINISH | N/A |
| NOTES | 12" between shelves |
| FREIGHT ONLY | No |