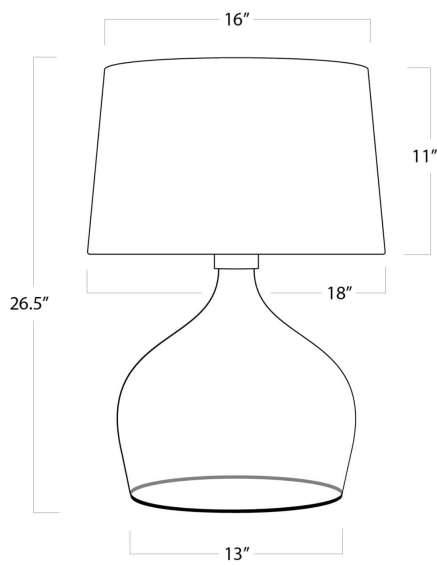


REGINA ANDREW

DETROIT

SPECIFICATION SHEET

Demi John Table Lamp Large
13-1478



| | |
|---------------------|--------------------------|
| HEIGHT | 26.5 |
| WIDTH | 18 |
| DEPTH | 18 |
| SHADE DIMS | 16 x 18 x 11 |
| SHADE COLOR | Natural Linen |
| BULB QTY | 1 |
| BULB TYPE | A Type Medium Base (E26) |
| SOCKET | E26 3-Way Cast Turn Knob |
| WATTAGE | 3-Way 150 Watt Max |
| WIRING TYPE | French Wire |
| MATERIAL | Glass |
| FINISH | N/A |
| NOTES | N/A |
| FREIGHT ONLY | No |