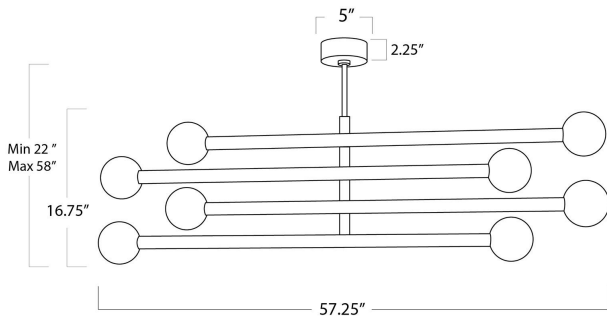


REGINA ANDREW

DETROIT

SPECIFICATION SHEET

Beaubien Chandelier 16-1358NB



HEIGHT	22
WIDTH	57.25
DEPTH	4.75
SHADE DIMS	N/A
SHADE COLOR	N/A
BULB QTY	8
BULB TYPE	G9 LED
SOCKET	G 9
WATTAGE	5 Watt Max
WIRING TYPE	Hard Wire
MATERIAL	Steel
FINISH	Natural Brass
NOTES	N/A
FREIGHT ONLY	No