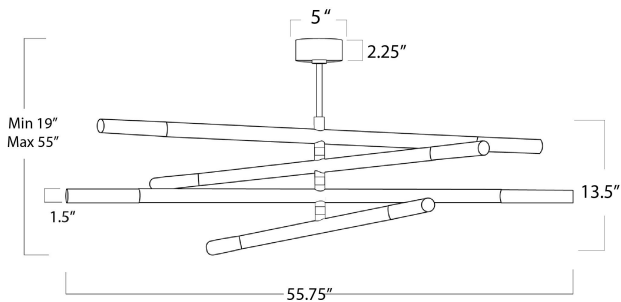


# REGINA ANDREW

DETROIT

## SPECIFICATION SHEET

Wick Chandelier  
16-1363NB



|                     |               |
|---------------------|---------------|
| <b>HEIGHT</b>       | 19            |
| <b>WIDTH</b>        | 55.75         |
| <b>DEPTH</b>        | 1.5           |
| <b>SHADE DIMS</b>   | N/A           |
| <b>SHADE COLOR</b>  | N/A           |
| <b>BULB QTY</b>     | 8             |
| <b>BULB TYPE</b>    | GU10/MR11     |
| <b>SOCKET</b>       | GU10 Socket   |
| <b>WATTAGE</b>      | 4 Watt Max    |
| <b>WIRING TYPE</b>  | Hard Wire     |
| <b>MATERIAL</b>     | Steel         |
| <b>FINISH</b>       | Natural Brass |
| <b>NOTES</b>        | N/A           |
| <b>FREIGHT ONLY</b> | No            |