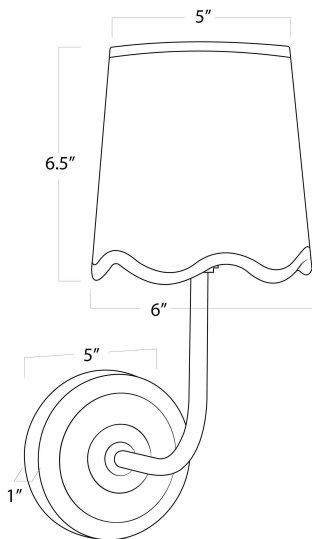


REGINA ANDREW

DETROIT

SPECIFICATION SHEET

Ariel Sconce
15-1167NB



| | |
|---------------------|---|
| HEIGHT | 14.5 |
| WIDTH | 6 |
| DEPTH | 8.75 |
| SHADE DIMS | 5 x 6 x 6.5 |
| SHADE COLOR | Natural |
| BULB QTY | 1 |
| BULB TYPE | B Type Candelabra Base (E12) |
| SOCKET | E12 Candelabra Uno |
| WATTAGE | 60 Watt Max |
| WIRING TYPE | Hard Wire |
| BACKPLATE | 5 dia x 1 |
| JUNCTION BOX | 12 in from top, 2.5 in from bottom, 2.5 from side |
| MATERIAL | Steel |
| FINISH | Natural Brass |
| NOTES | N/A |
| FREIGHT ONLY | No |

R/A