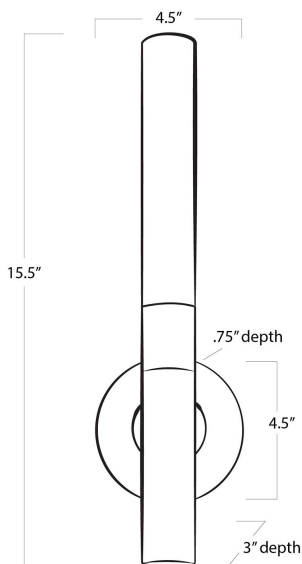


REGINA ANDREW

DETROIT

SPECIFICATION SHEET

Wick Sconce Single
15-1215ORB



| | |
|---------------------|--|
| HEIGHT | 15.5 |
| WIDTH | 4.5 |
| DEPTH | 3 |
| SHADE DIMS | N/A |
| SHADE COLOR | N/A |
| BULB QTY | 1 |
| BULB TYPE | GU10/MR11 |
| SOCKET | GU10 Socket |
| WATTAGE | 4 Watt Max |
| WIRING TYPE | Hard Wire |
| BACKPLATE | 4.5 dia x .75 |
| JUNCTION BOX | 12.5 in from top, 3 in from bottom, 2.25 from side |
| MATERIAL | Steel |
| FINISH | Oil Rubbed Bronze |
| NOTES | N/A |
| FREIGHT ONLY | No |

R/A