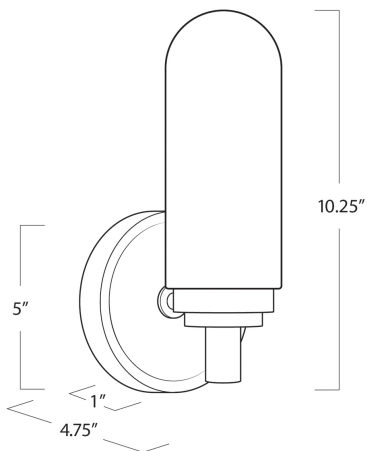


# REGINA ANDREW

DETROIT

## SPECIFICATION SHEET

Salon Sconce Single  
15-1208NB



<b>HEIGHT</b>	10.25
<b>WIDTH</b>	5
<b>DEPTH</b>	4.75
<b>SHADE DIMS</b>	N/A
<b>SHADE COLOR</b>	N/A
<b>BULB QTY</b>	1
<b>BULB TYPE</b>	G9 LED
<b>SOCKET</b>	G 9
<b>WATTAGE</b>	3.5 Watt Max
<b>WIRING TYPE</b>	Hard Wire
<b>BACKPLATE</b>	5 x 5 x 1
<b>JUNCTION BOX</b>	7.75 in from top, 2.5 in from bottom, 2.5 in from side
<b>MATERIAL</b>	Alabaster
<b>FINISH</b>	Natural Brass
<b>NOTES</b>	N/A
<b>FREIGHT ONLY</b>	No

**R/A**