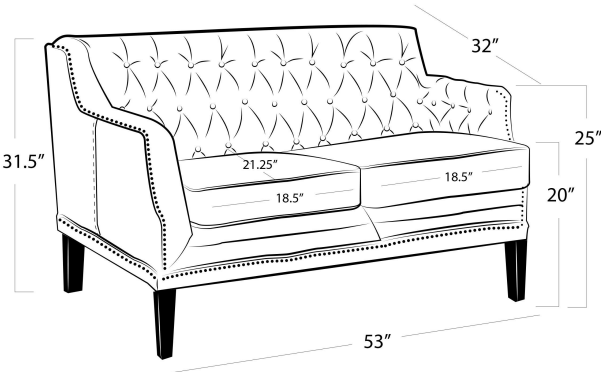


# REGINA ANDREW

DETROIT

## SPECIFICATION SHEET

Leather Equestrian Loveseat  
32-1002



<b>HEIGHT</b>	31.5
<b>WIDTH</b>	53
<b>DEPTH</b>	32
<b>SEAT HEIGHT</b>	20
<b>SEAT DEPTH</b>	21.25
<b>ARM HEIGHT</b>	25
<b>NOTES</b>	N/A
<b>FREIGHT ONLY</b>	Yes