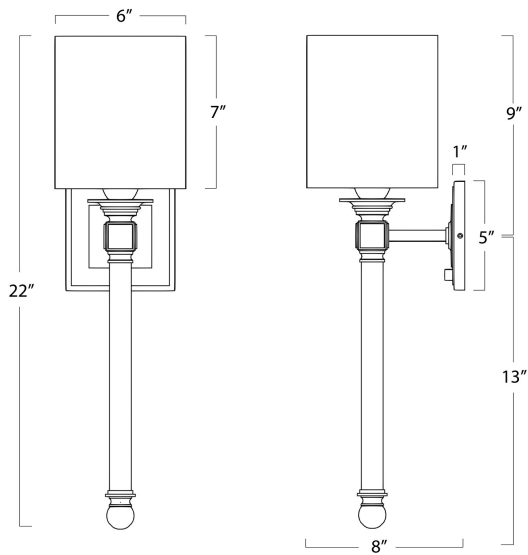


# REGINA ANDREW

DETROIT

## SPECIFICATION SHEET

### Crystal Tail Sconce (Oil Rubbed Bronze) 15-1010ORB



<b>HEIGHT</b>	22
<b>WIDTH</b>	6
<b>DEPTH</b>	8
<b>SHADE DIMS</b>	6 x 6; 6 x 6; 7
<b>SHADE COLOR</b>	Natural Linen
<b>BULB QTY</b>	1
<b>BULB TYPE</b>	G Type Medium Base (E26)
<b>SOCKET</b>	E26 Keyless. Uno w Face Plate Dimmer Switch
<b>WATTAGE</b>	60 Watt Max
<b>WIRING TYPE</b>	Hard Wire
<b>BACKPLATE</b>	5 x 5 x 1
<b>JUNCTION BOX</b>	9 in from top, 13 in from bottom, 3 in from side
<b>MATERIAL</b>	Steel
<b>FINISH</b>	Oil Rubbed Bronze
<b>NOTES</b>	N/A
<b>FREIGHT ONLY</b>	No

**R/A**