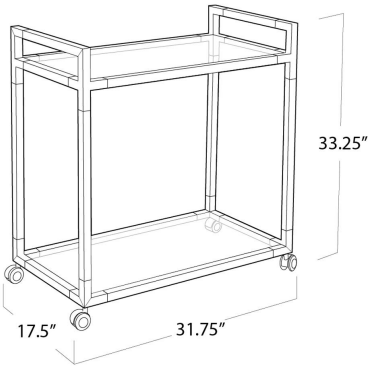


REGINA ANDREW

DETROIT

SPECIFICATION SHEET

Americano Bar Cart (Natural Brass)
31-1032



HEIGHT	33.25
WIDTH	31.75
DEPTH	17.5
MATERIAL	Acrylic
FINISH	Clear
NOTES	N/A
FREIGHT ONLY	Yes