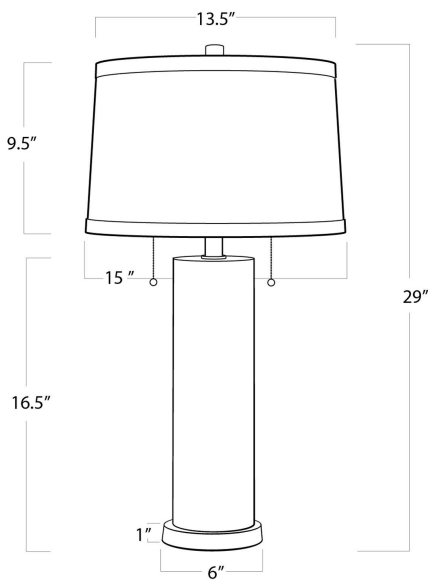


# REGINA ANDREW

DETROIT

## SPECIFICATION SHEET

### Deva Mother of Pearl Table Lamp 13-1030



<b>HEIGHT</b>	29
<b>WIDTH</b>	15
<b>DEPTH</b>	15
<b>SHADE DIMS</b>	13.5 x 15 x 9.5
<b>SHADE COLOR</b>	White
<b>BULB QTY</b>	2
<b>BULB TYPE</b>	A Type Medium Base (E26)
<b>SOCKET</b>	E26 S-Cluster Pull Chain
<b>WATTAGE</b>	60 Watt Max
<b>WIRING TYPE</b>	Standard
<b>MATERIAL</b>	Mother of Pearl
<b>FINISH</b>	Natural
<b>NOTES</b>	8 ft of cord
<b>FREIGHT ONLY</b>	No