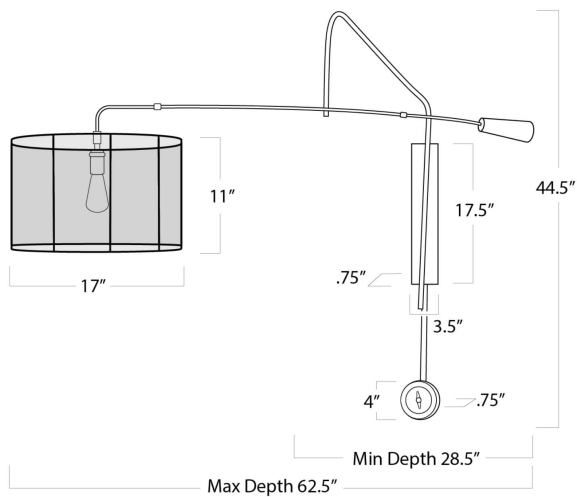


# REGINA ANDREW

DETROIT

## SPECIFICATION SHEET

### Boom Arm Sconce 15-1021



<b>HEIGHT</b>	44.5
<b>WIDTH</b>	56.5
<b>DEPTH</b>	65.5
<b>SHADE DIMS</b>	17 x 17 x 11
<b>SHADE COLOR</b>	Black
<b>BULB QTY</b>	1
<b>BULB TYPE</b>	A Type Medium Base (E26)
<b>SOCKET</b>	E26 Keyless. Uno w Face Plate Switch
<b>WATTAGE</b>	100 Watt Max
<b>WIRING TYPE</b>	Hard Wire or Pinup
<b>BACKPLATE</b>	3.5 x 17.5 x .75
<b>JUNCTION BOX</b>	8.75 in from top of back plate
<b>MATERIAL</b>	Steel
<b>FINISH</b>	Black
<b>NOTES</b>	N/A
<b>FREIGHT ONLY</b>	No

**R/A**